

“How Do I Save Money and The Environment?”
 Look Nowhere Else!!!
 “ MG-2 Got Just The Solution For You”



Today's escalating cost has made setting up and operation of industries capital-intensive. Global warming is pushing us into changing the way we run our business, leading to an important question of present time.

Lite 27 energy saver is designed for lighting and small power load in both commercial and industrial premises. Apart from superior quality and competitively priced “Lite 27 maintenance free” feature ensure uninterrupted operation in your premises. It's electrical construction and design ensures 'NO' setbacks in its operation, which inadvertently speed up the return of your investment. And a fully custom made energy saver for customers needs.



How Lite 27 Saves Energy

Lite 27 employs an impedance device in the form of highly efficient induction coils and supply optimum power to the lighting systems or equipment.

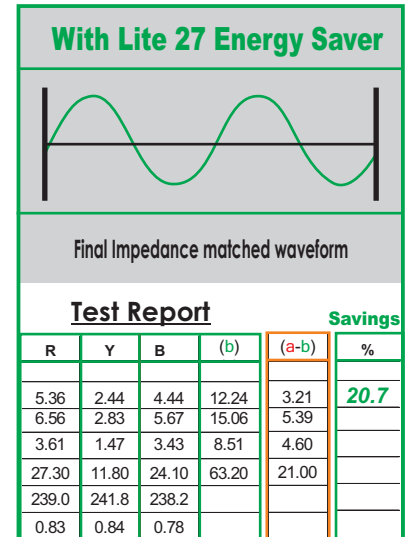
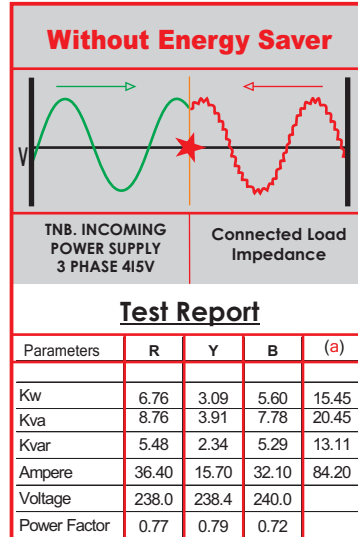
These coils work under the principal of inverse magnetic technology, to provide the impedance matching between the line and the load.

Power losses are due to electrical resistance in conductors and losses through magnetic material in transformers. Lite 27 is truly a revolutionary system, designed to optimize the consumption of electric energy.

Lite 27 introduces lossless impedance in its circuit. It reduces current and increases its efficiency.

Impedance Matching

Is a process of adjusting the impedance of the source and load to obtain maximum power transfer.



Simple Return of Investment (ROI) Calculation

Without Energy Saver
 15.45 kw x 24 Hours x 30 days = 11,124 kWh
 11,124 kWh x RM 0.234 Cents (Avg) = RM 2,603.01

With Lite 27 Energy Saver
 12.24 kw x 24 Hours x 30 days = 8,812.8 kWh
 8,812.8 kWh x RM 0.234 Cents (Avg) = RM 2,062.19

Without Energy Saver With Lite 27 Energy Saver Savings
 RM 2,603.01 - RM 2,062.19 = RM 540.82

20.7 % Savings

ROI for 13.5 KVA Lite 27 Energy Saver
 RM 8,539 (13.5 KVA Lite 27-Unit) / RM 540.82 (Savings) = 15.8 Month(s)

Carbon Dioxide (Co2) Savings

1kWh = 2.3 lb Co2
 11,124 kWh - 8,812.8 kWh = 2,311.2 kWh
 2,311.2 kWh x 2.3 lb Co2 = 5,315.80 lb Co2

| | |
|-------------------------------------|--------------------------------|
| Investment RM 8,539 1.3 Years | Savings Profit RM 56,359.40 |
|-------------------------------------|--------------------------------|

0 Years 10 Years

Savings Over 10 Years
RM 64,898.40



Benefits

Power factor Improvement

Utilizing **Lite 27** ensures improvement in power factor, which serves as a benefit for you.

Heat reduction for lighting and equipment

Lifespan of lighting and equipment is prolonged with heat reduction. **Lite 27** does this by reducing reactive current while saving energy. (Indirect Savings)

Reduction in CO2 emissions

1kwh produces 0.527 kg(Approx.) Co2. Saving electricity would reduce the Co2 emissions and help to protect our planet. (Indirect Savings)

Maintenance Free

Lite 27 is a electrode product which guarantees 'peace of mind' and smooth operation. It contains no low voltage or electronic components.

Major reduction in KW – KVA and Amp

Kw savings from **16% - 25%**. Other parameters have significant savings as well.

Reduction in electric consumption bill

Lite 27 helps you to save money by reducing electric consumption bills on lighting and small power loads.

95% - 97% in operating efficiency

Installing **Lite 27** does not disrupt the operations of your business or premises

Long Lasting Product

With a Life span of 15 years, **Lite 27** gives you continuous return.

Features / Components

Can be connected to 240 VAC - 50Hz (for single phase) and/or 415 VAC - 50Hz (for 3 phase load systems)

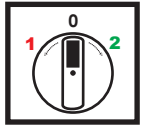
MCCB/MCB (Input/Output) protection

With change over switch (1 o 2).

1 - Direct Mode

o - Off

2 - **Lite 27 Savings Mode**



HRC Fuse

High efficiency Induction Coils

High Quality Panel Board

Special coated panel board paint

Optional Accessories

Power Analyzer Meter

Volt Meter

Amp Meter

Volt Selector

Amp Selector

C.T Coil

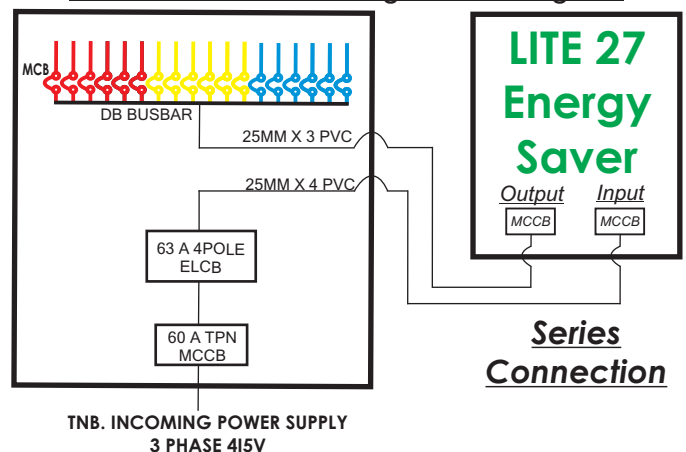
Indicator Light R, Y, B

Control Fuse

Surge Protector

Stainless Steel Panel (Indoor/Outdoor)
(Custom made for your requirement)

Lite 27 Installation Single Line Diagram



Series Connection

“ Please do not hesitate to contact us for further information on Lite 27 Energy Saver ”

MANUFACTURER

MAMPAN JITU (M) SDN BHD (270998-U)

No 8-2, Jalan 3/146, Metrocentre,
Bandar Tasek Selatan,
57000 Kuala Lumpur,
MALAYSIA.

Contact Person : Firdaus B.Abu

Tel : +603-9057 9717

+603-9058 8576

Fax : +603-9057 9715

Email : lite27@mg2.com.my

Website : mg2.com.my/lite27.html



AUTHORISED DEALER